

eBike Charging



More and more restaurants, cafes or hotels offer their guests the service to charge their eBike or pedelec for free at a charging station. Specially for this we have developed the eBike charging station of the VARIABOX series. The VARIABOX has proven itself in the most difficult applications of the industry and is now available for private or gastronomic sector. With their modern design and technical features you will surely find the right distributor.

In addition to our VARIABOX eBike charging stations, we also offer you the surface-mounted domestic charging socket with 16A continuous load. It therefore offers the highest possible security. Thanks to the built-in auxiliary contact, which can be designed as a normally open, normally closed or changeover contact depending on the application, it is possible, for example, to check the status of the socket. The contact can also be used for control purposes, for example. The compact design enables space-saving installation as the fuse and, if necessary, control are installed in the sub-distribution. There is a generous connection space available in the housing. The cable gland with proven MULTI-GRIP technology ensures a secure hold and sealing of the supply cable.

Variabox-S

- Charging begins without preauthorization
- Protection degree IP54

2 domestic charging sockets

Order no. **E-89216**

3 domestic charging sockets

Order no. **E-89217**

4 domestic charging sockets

Order no. **E-89218**



Variabox-ME

- Charging begins without preauthorization
- Protection degree IP54
- Fuse under flange plate
- with B-type MCBs 16A 1pol.
- with RCCB 40/0,03A 4pol.

2 domestic charging sockets

Order no. **E-89821**

3 domestic charging sockets

Order no. **E-89830**

4 domestic charging sockets

Order no. **E-89825**



Variabox-ME

- Charging begins without preauthorization
- Protection degree IP54
- User-friendly OTC operating window
- with B-type MCBs 16A 1pol.
- with RCCB 40/0,03A 4pol.

2 domestic charging sockets

Order no. **E-89823**

3 domestic charging sockets

Order no. **E-89125**

4 domestic charging sockets

Order no. **E-89822**



Pillar with protective rain canopy

- Dimensions: 1400 x 280 x 255 mm
- Housing made of high-quality V2A stainless steel
- Ground metal surface
- For Variabox-ME
- Base plate suitable for pedestal mounting

Order no. **E-580861**



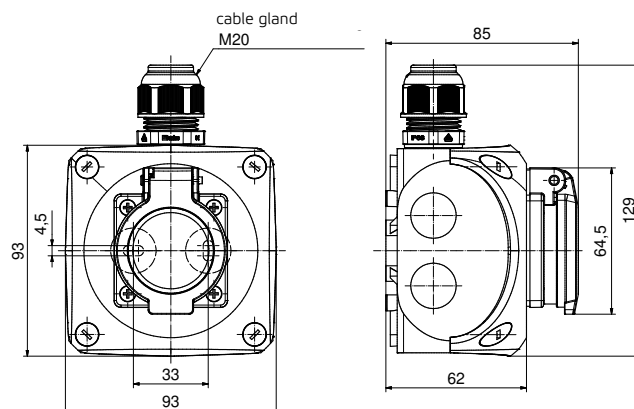
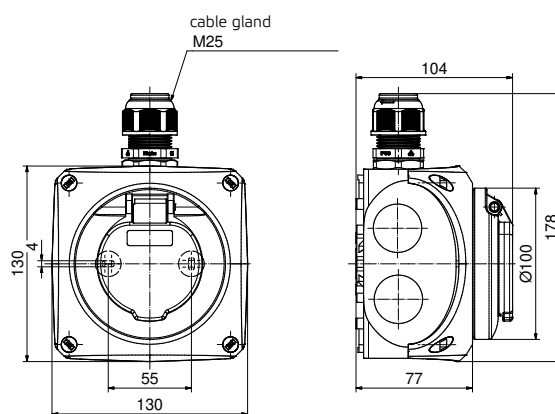
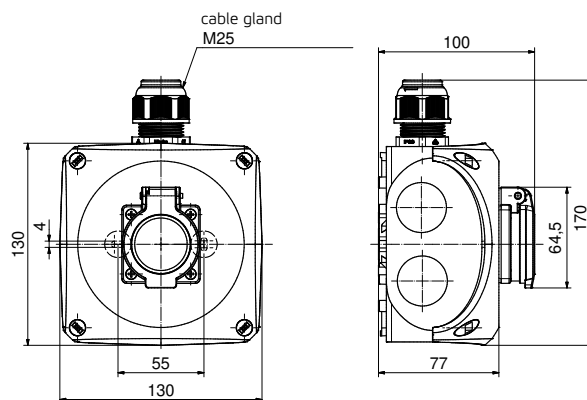
The surface-mounted domestic charging socket

- Suitable for 16A continuous load
- Compact design and space-saving
- Highest level of safety and quality
- Generous connection space
- Suitable for conductor cross sections up to 2.5 mm²
- Silver plated contacts
- Cable entry with MULTI-GRIP cable gland



Charging socket functions

- Protection degree IP44
- With "normally open" auxiliary contact as standard, with "normally closed" and "changeover" auxiliary contacts on request
- Type E or F earthing system
- A spring travel limiter prevents contact deformation
- Surface mounting



Type	Housing dimension	Auxiliary contact „normally open“	Article no.
Type F (german)	130x130	■	E-888103A
Type E (belgian/french)	130x130	■	E-888203A
Type F (german)	130x130	■	E-88801911-01
Type E (belgian/french)	130x130	■	E-88801912-01
Type F (german)	93x93	□	E-878109
Type E (belgian/french)	93x93	□	E-878209

 made
 in
 Germany



Simply. Well. Connected.

Bals Elektrotechnik GmbH & Co. KG
D-57399 Kirchhundem-Albaum
Phone: +49 27 23/771-0
Fax: +49 27 23/771-177/178
E-mail: info@bals.com
Internet: www.bals.com

Subject to technical modifications and typographical errors